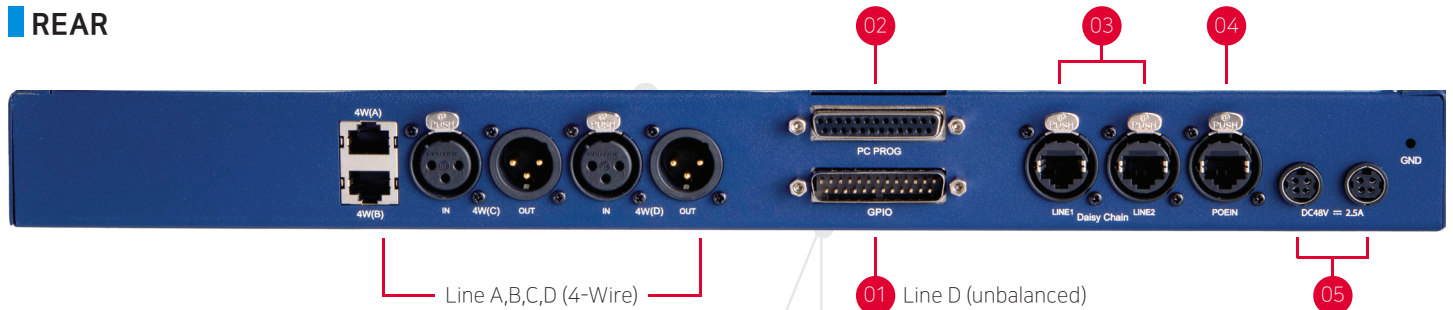


- 01 Loudspeaker, 3 watts
- 02 Microphone on/off, Loudspeaker on/off & Menu button with LED
- 03 Shift, Page, TTA(Talk To All), button with LED
- 04 Master Volume rotary control, Set Dim/Cut/Sidetone by pressing
- 05 Ch1~Ch8(Shift Ch9~Ch16) Volume rotary control, Push to call
- 06 Ch1~Ch8 (Shift Ch9~Ch16) Talk key with LED
- 07 Gooseneck microphone connector (XLR3F)
- 08 Headset connector (6pin Mini-Din Receptacle)
- 09 Display screen



- 01 GPIO (Relay, Opto, Line D, Expansion IO)
- 02 Firmware upgrade (D-sub 25pin female)
- 03 Daisy-chain PoE
- 04 PoE Input
- 05 48VDC 2.5A Power inputs

GENIE Key Panels are 'matrix-free' IP networking intercom system designed to be used in connection with GENIE, a converged system of IP intercoms and Wireless Beltpacks or independently without a Genie Base Station which is flexible and efficient in configuring an intercom system for various applications. The Panels offer varied audio paths such as peer-to-peer or group (multiple Panels) communication, Genie group channel communication, Line connections, Line audio routings and IFBs. It is easy-to-wire daisy-chain PoE(Power of Ethernet) scalable solution that supports high standard intercom users to accomplish complex work flows for large scale of facilities or events. The system can easily be configured by Genie Configuration Manager(GCM) with the full visibility of the connection status. GRP8 is a rack size Key Panel that provides 8 Talk keys for 8 Talk channels with additional 8 channels by one-touch shift key. The power is redundant by PoE or two 48VDC PSUs and up to two GXP12 Genie Expansion Panel can be connected to a GRP8 Key Panel.

Genie Key Panels At A Glance

Model	Product name	Talk key	4-Wire	Expansion I/O	Daisy-chain PoE	PoE In	Relay	Opto Input	Format	Power
GRP8	Rack Panel	8	4	1	2	1	2	2	1RU	2 + (3 x POE)
GXP12	Expansion Panel	12	-	2	-	-	-	-	1RU	2 x (12VDC)
GDP4	Desktop/Wall Panel	4	-	-	-	1	-	-	Desktop, Wall	1 x PoE

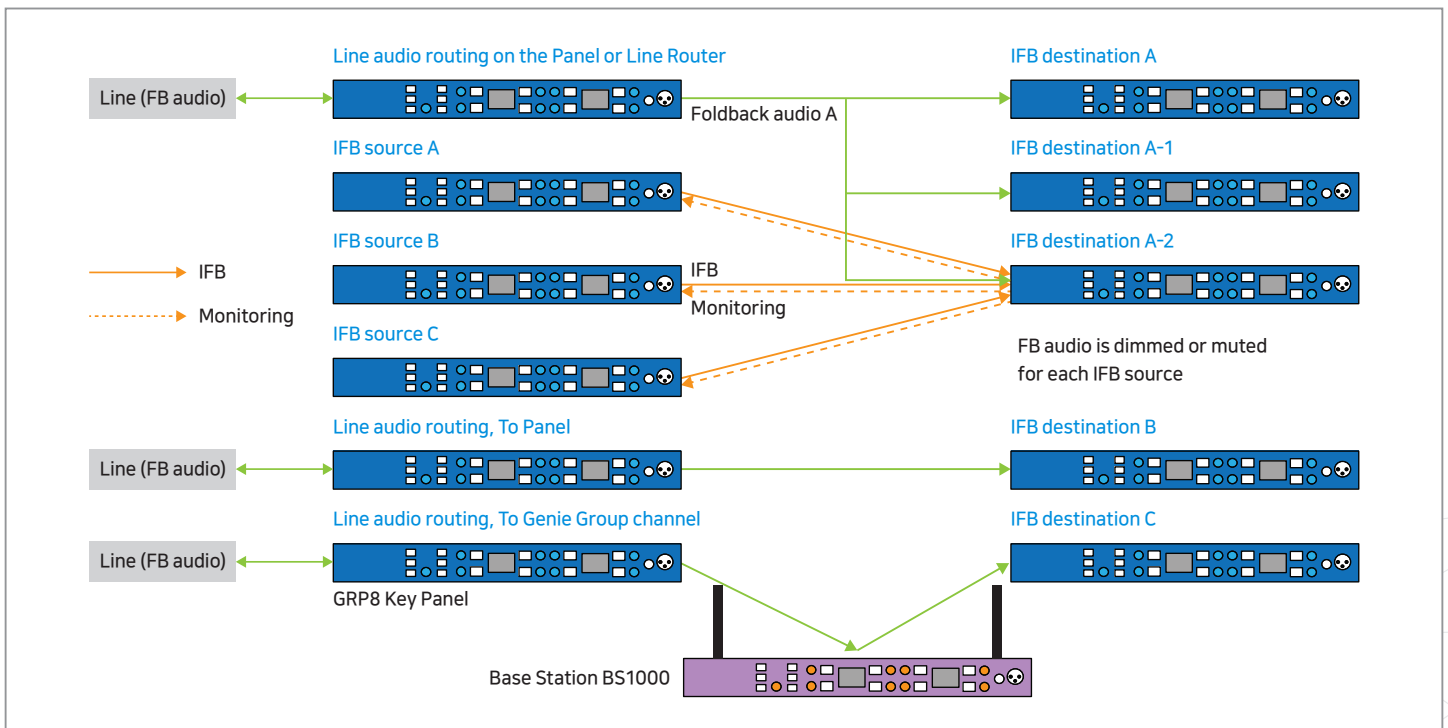
GENIE Key Panels Talk Channel Capacity

Description	GRP8	GXP12 (Expansion)	GDP4
Connections of Expansion Panels	2	Daisy-chain	X
Talk keys	8	12	4
Talk keys with Expansion Panels	20 (32*)	X	X
Shift	8	X	X
Pages	8	X	X
Group key, Panels per Talk key	8	8	8

GDP8 Rack Panel Main Features

- ▶ 8 Talk keys and volume rotary control with one master control
- ▶ One-touch Shift key for additional 8 Talk channels (16CH in total)
- ▶ Various Talk key setting
 - Peer to Peer Panel communications
 - Group (multiple Panel) communications - Group key
 - Genie group channels assignment on a key
 - Both Panel and Genie group channels assignment on a key
 - IFB Configurations - IFB members, IFB sources, IFB destinations, IFB dim level adjustment, Monitoring and etc.
 - 2 Relays, 2 OPTO-isolated inputs, Forced listen
- ▶ Up to 2 GXP12 Expansion Panel connections to GRP8
- ▶ Up to 32 Key Panel connections
- ▶ Line audio routing
 - Line A, B, C, D audio can be routed to Panels or Genie's 5 Group channels
 - Genie Group channels can work as Foldback audio for IFB
- ▶ Either headset or gooseneck microphone connection and built in loudspeaker
- ▶ 4 Lines (A, B, C, D) for 2 x 4-Wire + 2 x (4-Wire or 2-Wire)
- ▶ GPIO - 2 relays, 2 OPTO-isolated inputs, Expansion Panel I/O and AUX D which provides unbalanced audio input and output. Upon the Talk key set for the relay and AUX D, you can communicate with Walkie-Talkie system.
- ▶ 1 x PoE In, 2 x PoE Out, 48V DC dual power
- ▶ Ethernet Synchronizations to avoid possible delay, jitter or packet loss

Line Audio Routing And Ifb Communications



GDP8 Rack panel specification

Loudspeaker	3 watts	PC PROG	25-pin D-type female, Upgrading the Panel firmware
Headset output	500mW into 32 Ohm	Relay, Opto-isolated	2 Relay outputs and 2 Opto-isolated inputs
Front Panel Display	Two OLED screens, 128 x 64 Resolutions	PoE Input	PoE RJ-45 Connector, Standard PoE specification
Front Panel Key	LED indicated keys and Rotary controls	PoE Line1, Line2 (Daisy-chain)	Two PoE RJ-45 Connectors, 100Mbps Standard PoE specification
Headset	Dynamic or Electret, 6-pin Mini-DIN male, Receptacle	Power Input	Two 48-56VDC at a max power of 90Watt or PoE from the Network Switch
Gooseneck Mic	Dynamic or Electret, XLR-3F		The external PSU provides the 48VDC 2.5A and at its input takes 100-240VAC, 47-63Hz.
4-Wire(A) and 4-Wire(B)	Two RJ-45, 600Ω balanced, level adjustable	Operating Temperature	0°C to 50°C (32°F to 122°F)
4-Wire(C) and 4-Wire(D)	Input: XLR-3F, Output: XLR-3M, 600Ω balanced, level adjustable	Dimensions	16.83W x 8.03L x 1.73H inch (42.75W x 20.4L x 4.4H cm)
GPIO(D) audio Input/Output	DB25F, 600Ω unbalanced, level adjustable	Weight	7.72 lb (3500g)
GPIO Expansion I/O, 12VDC	DB25F, Expansion I/O, 12VDC		